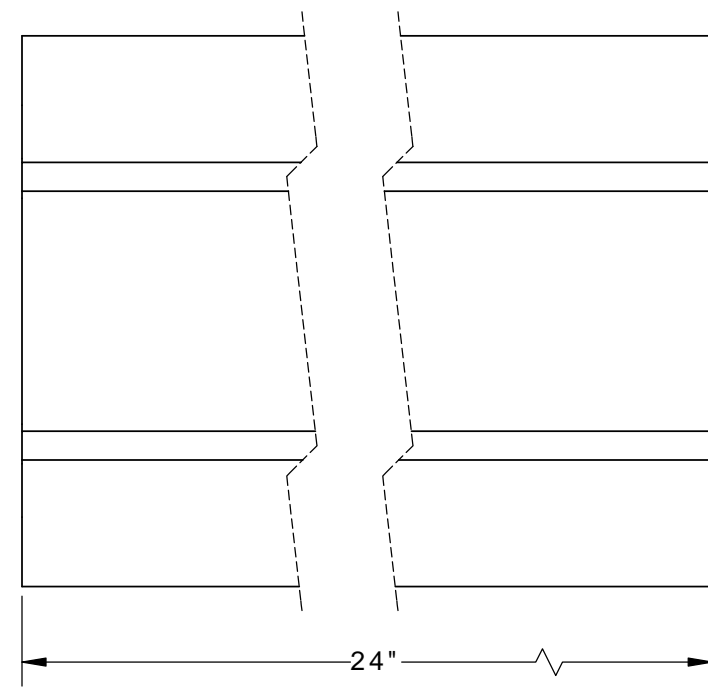
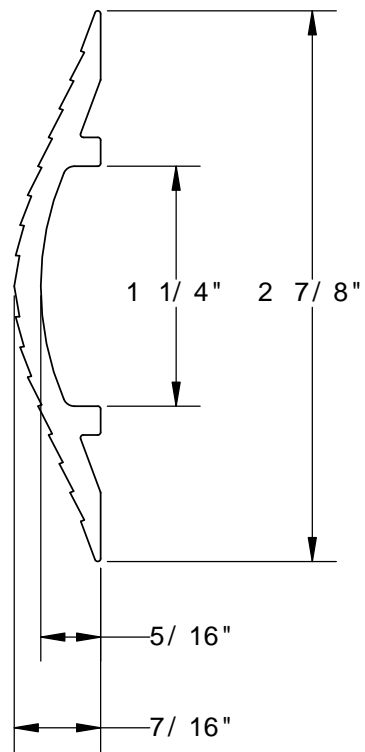


EXTRUDED ALUMINUM HOSE & CABLE CROSSOVER RAMP - WR-24

APPROX WEIGHT: 0.94 lbs.
 DOES NOT INCLUDE WEIGHT OF POWER OR PACKAGING!!!

*** ANY ADDITIONS, DELETIONS, OR OMISSIONS MUST BE CORRECTED ON THIS DRAWING AS THIS DRAWING WILL BE CONSIDERED ALL INCLUSIVE ***

ALL GRAPHICS PROVIDED ARE FOR REFERENCE ONLY. IF CERTAIN DIMENSIONS ARE CRITICAL PLEASE VERIFY THOSE DIMENSIONS WITH YOUR SALESPERSON



DIMENSION TOLERANCE ± 1/2"

STANDARD FEATURES

- MODEL NUMBER: WR-24
- SINGLE WHEEL CAPACITY: 2,500 LBS
- OVERALL WIDTH: 2 7/8"
- OVERALL LENGTH: 24"
- OVERALL HEIGHT: 7/16"
- USABLE WIDTH: 1 1/4"
- USABLE HEIGHT: 5/16"

SPECIAL FEATURES

NONE

| | | |
|---------------------|--|--|
| APPROVAL | I, THE UNDERSIGNED, AGREE THAT THE PRODUCT AS REPRESENTED SATISFIES DESIGN AND DIMENSION REQUIREMENTS. I ALSO ACKNOWLEDGE MY DUTY TO CONFIRM PRODUCT AND INSTALLATION COMPLIANCE WITH ALL APPLICABLE FEDERAL, STATE AND LOCAL REGULATIONS AND STANDARDS. | |
| | ANY MODIFIED UNITS ARE NON-RETURNABLE | |
| | [] As drawn [] As marked | |
| | Signed: _____ Date: _____ | |
| Printed Name: _____ | | LEAD TIME WILL START UPON RECEIPT OF SIGNED APPROVAL DRAWING |

| FOR INTERNAL USE ONLY PROJECT SIGN OFF | |
|---|--|
| SALES | |
| ENG. | |
| FAB. | |
| POWER | |

| | | |
|----------------------|------------|------------|
| DISTRIBUTOR'S NAME: | | P.O.# |
| VESTIL MANUFACTURING | | X |
| DRAWN BY: K.YEAKLE | | W.O.# |
| DATE: 05/09/12 | | X |
| REFERENCE: X | SCALE: 1:1 | SALES: X |
| QUOTED LEAD TIME: X | QUOTE # | FILE NAME: |
| | X | 29-007-040 |